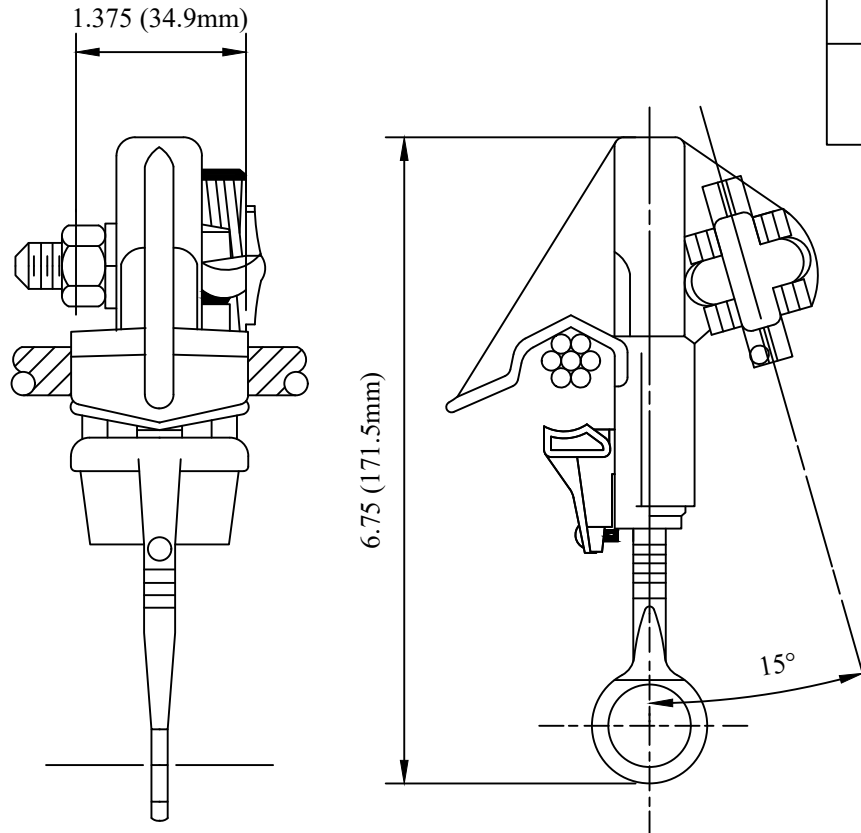


CATALOG NUMBER : 05D6D8D

PRODUCT DATA & CONDUCTOR SIZE				
MAIN LINE	TAP	CONDUCTOR RANGE (AWG OR KCMIL)		APPROX. WT.EACH LBS. (KG).
		MAIN	TAP	
CU	CU	#6 SOL - 400 MCM .162 - .745 (4.12 - 18.96)	#6 SOL - 4/0 STR. .162 - .547 (4.12 - 13.89)	1.71 (.78)



NOTES:

- 1.FOR COPPER CONDUCTOR.
- 2.DESIGNED FOR STANDARD "HOT STICK" APPLICATION.
- 3.MATERIAL:

BODY AND KEEPER - BC/BH - BRASS ALLOY
BC/BH - FTP - BRASS ALLOY
- TIN PLATED

EYESTEM - BRONZE ALLOY

WASHER - BH - SILICON BRONZE

BC/BH - FTP - STAINLESS STEEL

DRN BY:	DATA
Ella	07/09/16
<small>CONFIDENTIAL THIS DRAWING AND ITS CONTENTS PROPERTY OF TIANJIN TUOFA ELECTRIC POWER TECHNOLOGY CO.,LTD. NO PUBLICATION, DISTRIBUTION OR COPIES MAY BE MADE WITHOUT THE WRITTEN CONSENT OF TIANJIN TUOFA ELECTRIC POWER TECHNOLOGY CO.,LTD. TIANJIN TUOFA ELECTRIC POWER TECHNOLOGY CO.,LTD UNPUBLISHED ALL RIGHTS RESERVED UNDER THE COPYRIGHT LAWS.</small>	

**BROZE CLAMP FOR HOT LINE TAP,
RANGE 0.162 - 0.745 IN**



TTF POWER TECHNOLOGY CO.