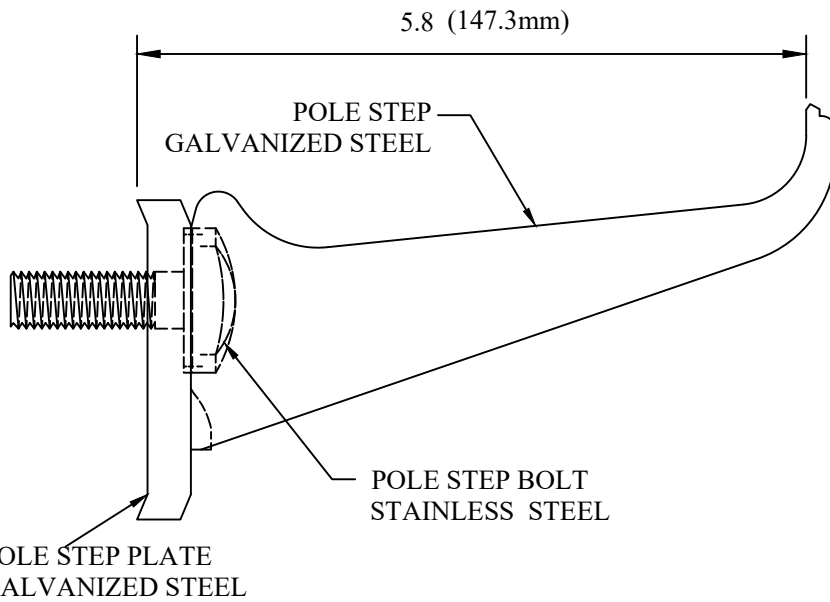
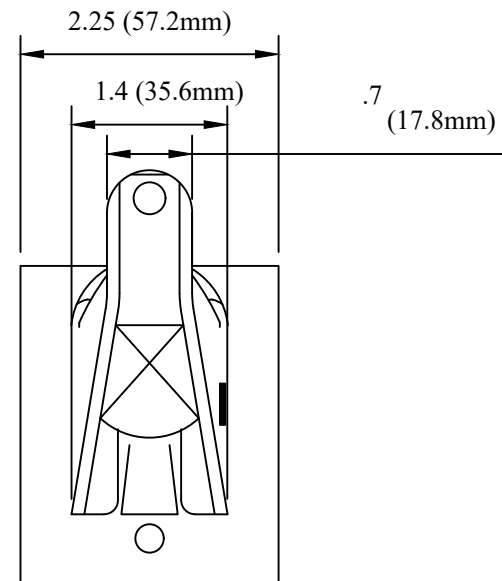
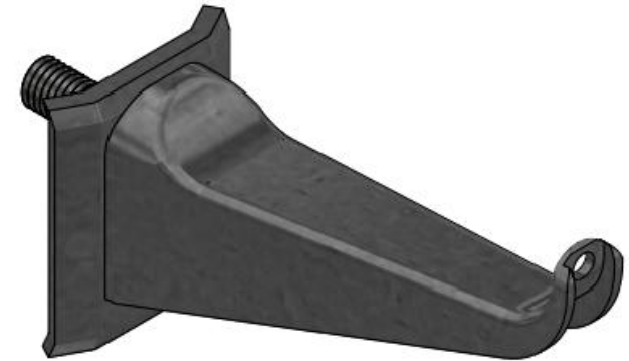
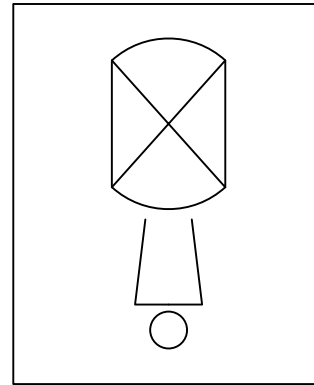
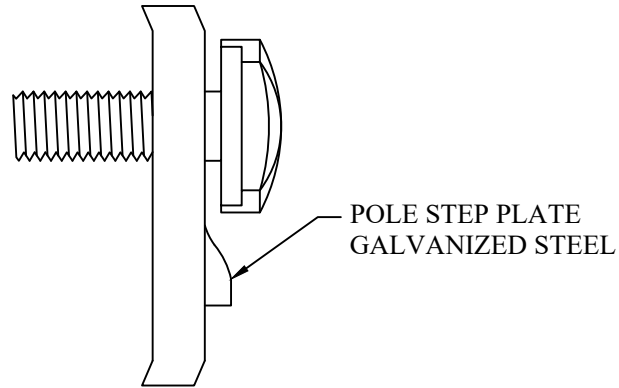


CATALOG NUMBER : 06L3C3L



DRN BY:	DATA
Ella	07/09/16

CONFIDENTIAL THIS DRAWING AND ITS CONTENTS PROPERTY OF TIANJIN TUOFA ELECTRIC POWER TECHNOLOGY CO.,LTD. NO PUBLICATION, DISTRIBUTION OR COPIES MAY BE MADE WITHOUT THE WRITTEN CONSENT OF TIANJIN TUOFA ELECTRIC POWER TECHNOLOGY CO.,LTD. TIANJIN TUOFA ELECTRIC POWER TECHNOLOGY CO.,LTD UNPUBLISHED ALL RIGHTS RESERVED UNDER THE COPYRIGHT LAWS.

BOLT AND PLATE ASSEMBLY FOR REMOVABLE POLE STEP, METAL POLES INSTALLATION



TTF POWER TECHNOLOGY CO.