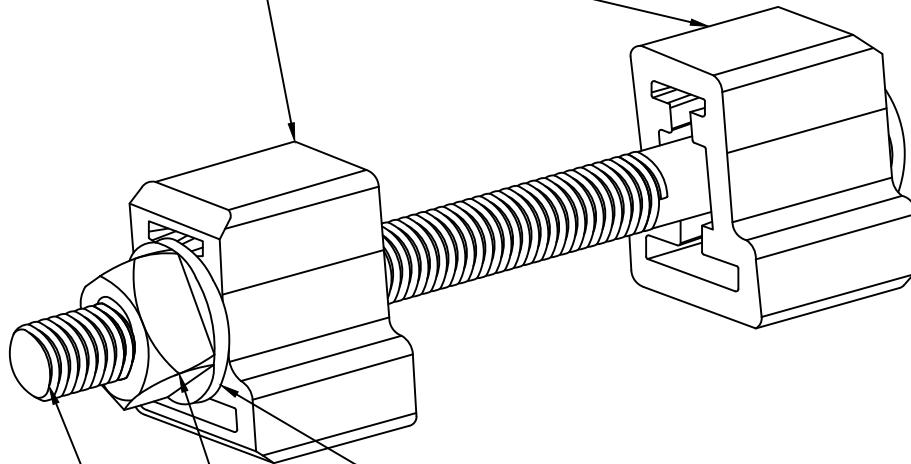


CATALOG NUMBER : 06P2I3B

ALIMINUM CLAMP BODY



5/8" X 7-1/2" CARRIAGE BOLT

5/8" ROUND WASHER

5/8" SQUARE NUT

NOTES:

1.ASSEMBLY COMPLETE AS SHOWN.

DRN BY:	DATA
Ella	07/09/16

BANDING BUCKLE, WEIGHT 1.37 LB

CONFIDENTIAL THIS DRAWING AND ITS CONTENTS PROPERTY OF TIANJIN TUOFA ELECTRIC POWER TECHNOLOGY CO.,LTD. NO PUBLICATION, DISTRIBUTION OR COPIES MAY BE MADE WITHOUT THE WRITTEN CONSENT OF TIANJIN TUOFA ELECTRIC POWER TECHNOLOGY CO.,LTD. TIANJIN TUOFA ELECTRIC POWER TECHNOLOGY CO.,LTD UNPUBLISHED ALL RIGHTS RESERVED UNDER THE COPYRIGHT LAWS.



TTF POWER TECHNOLOGY CO.