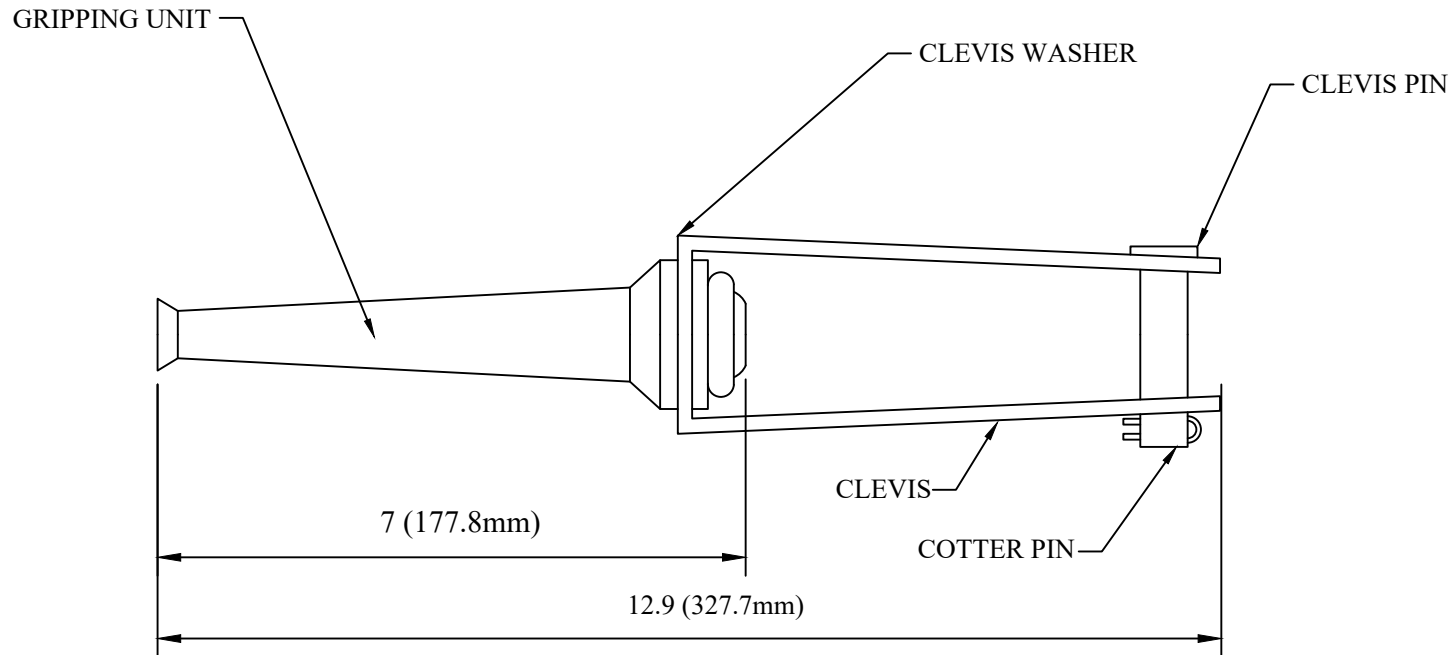


CATALOG NUMBER : 05B7Z0C

PRODUCT DATA & CONDUCTOR SIZE

BAIL TYPE	STD. COND. SIZES	OTHER INFORMATION		APPROX WT. EACH LBS.(KG)
		DIA.RANGE IN.(MM)	COLOR CODE	
CLEVIS	#4 - #2 ACSR #4 - #2 AAAC #4 - #2 AAC	.220 - .320 (5.59 - 8.13)	RED - ORANGE	0.63(.29)



NOTES:  
1.MATERIAL: ALUMINUM ALLOY OR GALVANIZED STEEL.

DRN BY:	DATA
Ella	07/09/16
<small>CONFIDENTIAL THIS DRAWING AND ITS CONTENTS PROPERTY OF TIANJIN TUOFA ELECTRIC POWER TECHNOLOGY CO.,LTD. NO PUBLICATION, DISTRIBUTION OR COPIES MAY BE MADE WITHOUT THE WRITTEN CONSENT OF TIANJIN TUOFA ELECTRIC POWER TECHNOLOGY CO.,LTD. TIANJIN TUOFA ELECTRIC POWER TECHNOLOGY CO.,LTD UNPUBLISHED ALL RIGHTS RESERVED UNDER THE COPYRIGHT LAWS.</small>	

AUTOMATIC DEAD ENDS FOR ACSR, AAC, AND AAAC CONDUCTOR



TTF POWER TECHNOLOGY CO.