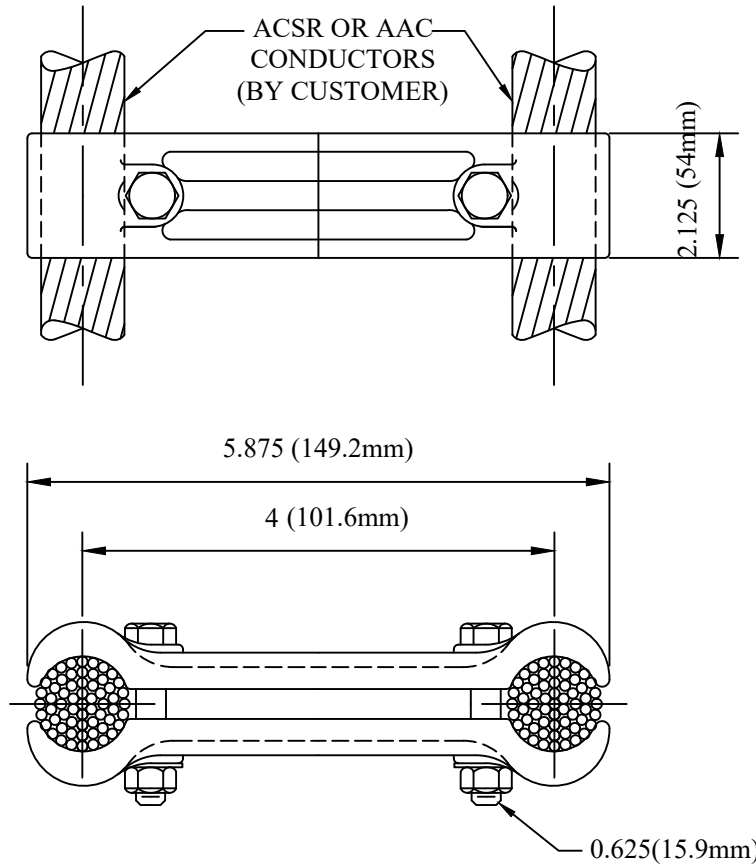


CATALOG NUMBER : 05F8X4N



NOTES:

- 1.MATERIAL: 356-T6 ALUMINUM ALLOY
- 2.FOR SUBSTATION USE ONLY, DO NOT USE FOR OVERHEAD TRANSMISSION LINES

CONDUCTOR RANGE(MCM)		DECIMAL RANGE
AAC	ACSR	
1250-1600	1113-1272	1.289-1.459

DRN BY:	DATA
Ella	07/09/16
<small>CONFIDENTIAL THIS DRAWING AND ITS CONTENTS PROPERTY OF TIANJIN TUOFA ELECTRIC POWER TECHNOLOGY CO.,LTD. NO PUBLICATION, DISTRIBUTION OR COPIES MAY BE MADE WITHOUT THE WRITTEN CONSENT OF TIANJIN TUOFA ELECTRIC POWER TECHNOLOGY CO.,LTD. TIANJIN TUOFA ELECTRIC POWER TECHNOLOGY CO.,LTD UNPUBLISHED ALL RIGHTS RESERVED UNDER THE COPYRIGHT LAWS.</small>	

ALUMINUM CABLE SPACER,  
WEIGHT 2.411 LB



TTF POWER TECHNOLOGY CO.