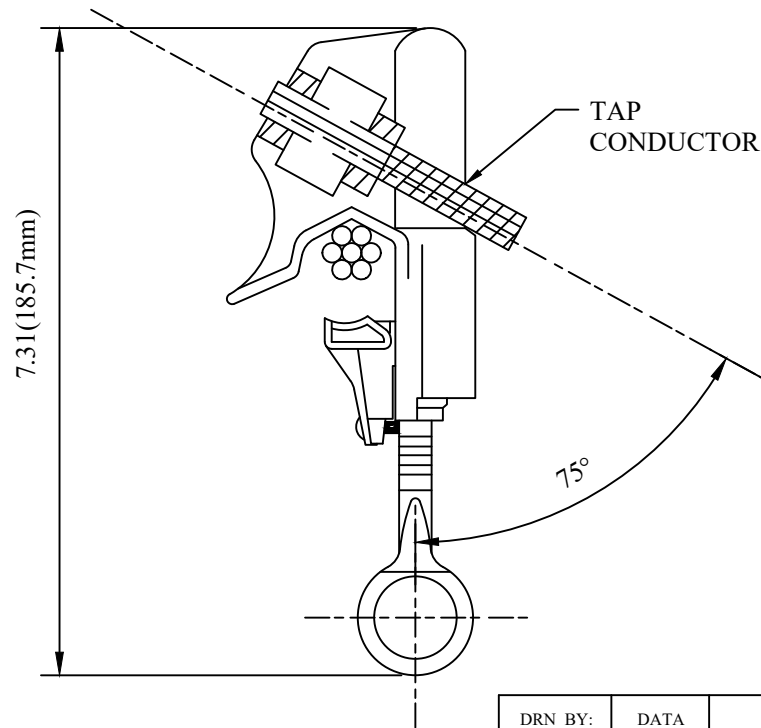
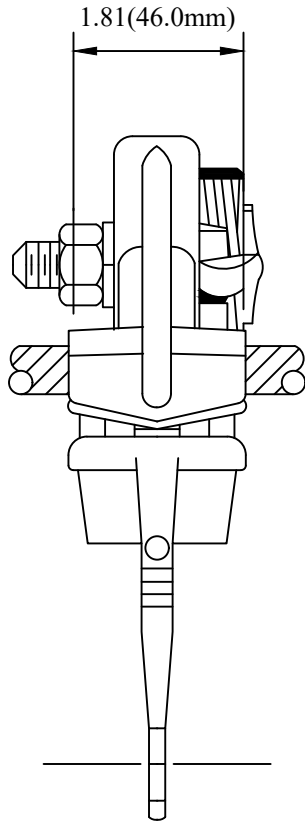


CATALOG NUMBER : 05D6G2N

PRODUCT DATA & CONDUCTOR SIZE

MAIN LINE	TAP	PLATING	CONDUCTOR RANGE (AWG OR KCML)						TAP	TAP
			MAIN			TAP				
			AAC		ACSR	AAC/CU		ACSR		
AL	CU	AC Trans+	4/0 Str. – 800	#4 Str. – 4/0	3/0 (6/1) – 636 (30/19)	#4 – 266.8	#4 Sol. – 350	#6 – 266.8	3/4(19)	0.98 (0.45)



NOTES:
 1. FOR ALUMINUM AND ACSR CONDUCTOR.
 2. DESIGNED FOR STANDARD "HOT STICK" APPLICATION.
 3. MATERIAL:
 BODY AND KEEPER - ALUMINUM ALLOY
 EYEBOLT - BRONZE ALLOY - TIN PLATED
 EYESTEM - BRONZE ALLOY, FORGED OR STAINLESS STEEL
 SPRING (ON EYESTEM) - STAINLESS STEEL

FOR FACTORY GREASED AND BAGGED CLAMPS, SEE NOTES TABLE.

DRN BY:	DATA
Ella	10/08/16
<small>CONFIDENTIAL THIS DRAWING AND ITS CONTENTS PROPERTY OF TIANJIN TUOFA ELECTRIC POWER TECHNOLOGY CO.,LTD. NO PUBLICATION, DISTRIBUTION OR COPIES MAY BE MADE WITHOUT THE WRITTEN CONSENT OF TIANJIN TUOFA ELECTRIC POWER TECHNOLOGY CO.,LTD. TIANJIN TUOFA ELECTRIC POWER TECHNOLOGY CO.,LTD UNPUBLISHED ALL RIGHTS RESERVED UNDER THE COPYRIGHT LAWS.</small>	

ALUMINUM ALLOY HOT LINE TAP CLAMP

